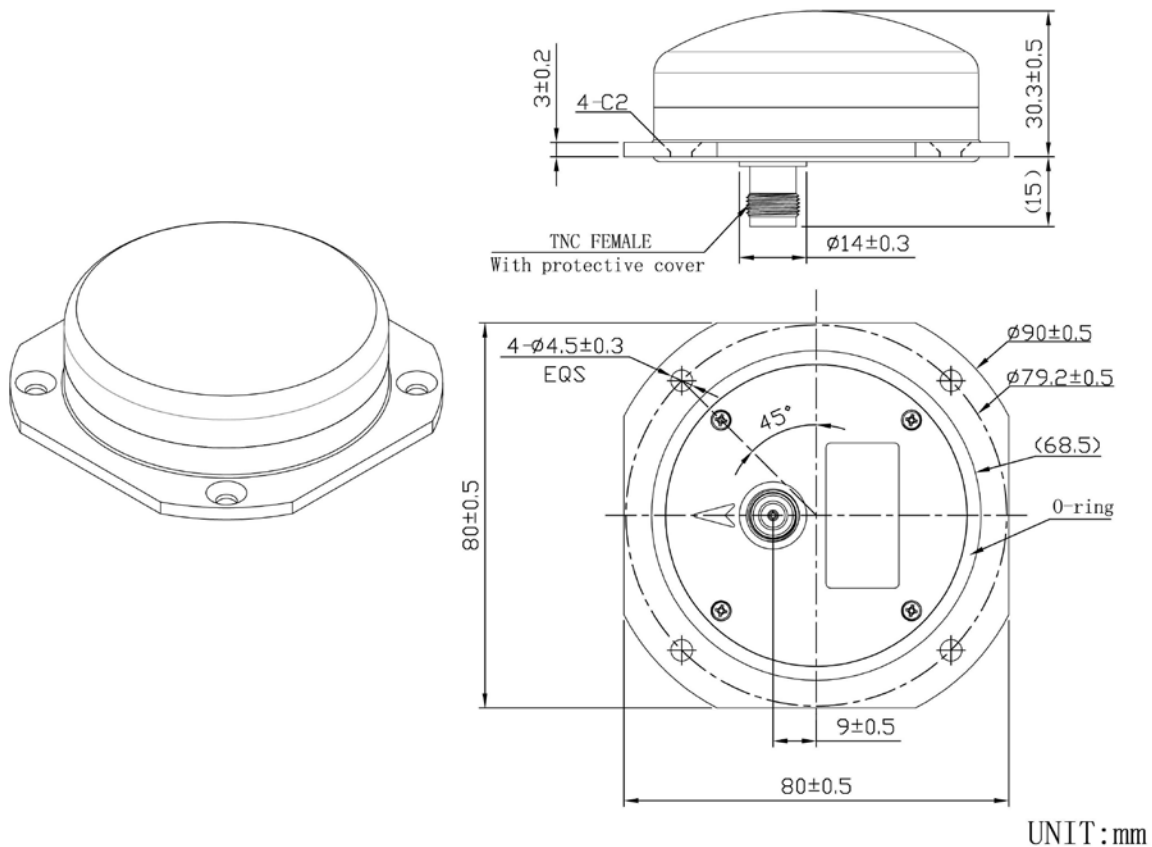


GNSS Antenna

Brand: Metta Technologies

Model: X5ABSK

DIMENSIONS



SPECIFICATIONS

Item	Specifications	
Antenna	Frequency Range	1559.052 ~ 1616MHz 1205.094 ~ 1278.75MHz
	Polarization	RHCP
	Axial Ratio	$\leq 3\text{dB}$

	V.S.W.R	≤ 2.0
	Peak Gain	$\geq 3\text{dBi}$
	Impedance	50Ω
	Horizontal Coverage Angle	360°
	Vertical Coverage Angle	$5^\circ \sim 90^\circ$
LNA	Gain	B2/L2/G2/B3/E5b/E6: $42 \pm 2\text{dB}$
	Noise Figure	$\leq 1.5\text{dB}$
	Passband Fluctuation	$\pm 1\text{dB}$
	Supply Voltage	$3.3 \sim 12\text{V DC}$
	Current Consumption	$\leq 50\text{mA}$
	V.S.W.R	≤ 2.0
	Output 1dB Compression Point	$\geq 0\text{dBm}$
Mechanical	Connector	TNC-K
	Dimension	$\Phi 90\text{ mm}$
	Weight	$\approx 150\text{g}$
Environmental	Operating Temperature	$-40^\circ\text{C} \sim +85^\circ\text{C}$
	Storage temperature	$-40^\circ\text{C} \sim +85^\circ\text{C}$
	Relative Humidity	Up to 95% (Non condensing)
	Ingress Protection	IP67